

## Kamera sieciowa IP



**i7-C54221-IR**

### Główne cechy:

- kamera w obudowie kopułowej zewnętrznej typu „antywandal” z **regulacją 3D**
- maksymalna rozdzielczość **2,1Mpx (1920x1080)** do 25kl./s
- wydajna kompresja wideo H.264 z regulowaną jakością i strumieniem danych
- kodowanie dwu-strumieniowe, strumień pomocniczy np. do transmisji przez wolne łącza (Internet)
- czuły przetwornik CMOS z progresywnym skanowaniem
- cyfrowa redukcja szumów – **3D DNR**
- WDR cyfrowy z regulowanym poziomem
- wbudowany obiektyw o ogniskowej 2,8mm, 4mm lub 6mm
- wbudowany oświetlacz podczerwieni
- automatycznie przełączany mechaniczny filtr odcięcia podczerwieni IRC
- **wykrywanie przekroczenia płaszczyzny wirtualnej**
- **wykrywanie wtargnięcia**
- wielostrefowa detekcja ruchu z opcją dynamicznej analizy
- **gniazdo kart mikro SD/SDHC/SDXC (do 128 GB)**
- możliwość zasilania przez PoE 802.3af lub 12V DC
- zegar czasu rzeczywistego z podtrzymaniem po utracie zasilania
- odporność na uderzenia: IEC60068-2-75Eh,20J; EN50102, do IK10
- **alternatywne możliwości konfiguracji, podglądu i/lub rejestracji przez:**
  - sieciowe rejestratory sprzętowe serii i7-Nxx oraz i7-Hxx
  - dedykowane oprogramowanie typu CMS: i7-VMS PL Client
  - oprogramowanie do zapisu: i7-VMSStorage Server
  - oprogramowanie na urządzenia mobilne i7-MVS
  - przeglądarkę internetową Mozilla, Opera, Chrome, IE inne
  - odtwarzacze sieciowe np. VLC z wykorzystaniem protokołu RTSP
  - oprogramowanie i rejestratory firm trzecich z wykorzystaniem ONVIF, RTSP

# i7-C54221-IR KAMERA IP 2,1 Mpx

## Specyfikacja techniczna



### Parametry techniczne:

Model	i7-C54221-IR
Parametry	Kamera 2,1Mpx w obudowie kopułowej zewnętrznej wandaloodpornej
<b>Kamera</b>	
Przetwornik	1/3" CMOS z progresywnym skanowaniem
Min. oświetlenie	0.028Lux @ (F2.0,AGC ON), 0Lux przy IR ON
Elektroniczna migawka	1/3s -1/100,000s
Obiektyw	2.8mm, 4mm lub 6mm / F2.0
Kąt widzenia $\theta$	106° (2,8mm), 85° (4mm), 52° (6mm)
Mocowanie obiektywu	M12
Cyfrowa redukcja szumów	3D DNR z regulowanym poziomem 0-100
Szeroki zakres dynamiki	D-WDR – cyfrowy WDR z regulowanym poziomem 0-100
Dzień / Noc	Filtr odcięcia podczerwieni IR cut: 7 poziomów przełączania automatycznego; harmonogram godzinowy przełączania
BLC	Tak z wyborem strefy
Regulacja modułu	poziom: 0° - 355°, pion: 0° - 75°, obrót 0-355°
<b>Standard kompresji</b>	
Kompresja wideo	H.264 profil główny H.264 profil podstawowy
Strumień bitowy	32 Kbps~8Mbps
Dodatkowe funkcje kodera	ROI: po 1 obszarze dla strumienia głównego i pomocniczego. 6 poziomów dla każdego poziomu
Kompresja audio	Nie dotyczy
Dwustrumieniowość	Tak
<b>Obraz</b>	
Maks.rozdzielczość obrazu	1920 x 1080 px
Liczba klatek na sekundę (fps) przy zadanej rozdzielczości	50 Hz, 25fps: (1920 x 1080), (1280 x 960), (1280 x 720) 60 Hz, 30fps: (1920 x 1080), (1280 x 960), (1280 x 720)
Ustawienia obrazu	Nasylenie, jasność, kontrast, barwa ostrość: ustawiane przez VMS lub przeglądarkę
Funkcje	Znak wodny, przeciwmigotanie, lustro, obrót, maski prywatności na obrazie, smart IR, własny tekst na obrazie.
Detekcja ruchu	22x18 pól, czułość 6 poziomów, tryby pracy: normalny oraz zaawansowany. W trybie zaawansowanym możliwość definiowania stref o różnej czułości oraz różnicowania czułości w trybie dzień i noc.
<b>Sieć</b>	
Zapis sieciowy	NAS
Opcje zapisu	Nagrywanie z nadpisywaniem lub do zapewnienia nośnika. Harmonogramy zapisu: ciągły lub alarmowy: z detekcji ruchu.
Alarmy	Detekcja ruchu, sabotaż wideo, przekroczenie linii wirtualnej, wtargnięcie w obszar, analiza dynamiczna, dysk pełny, nieuprawnione logowanie, błąd zapisu, konflikt adresów IP, odłączenie od sieci IP.
Reakcje alarmowe	Wyzwolenie nagrywania, wysłanie e-mail, zrzut zdjęcia na FTP, przestanie informacji o zdarzeniu do oprogramowania i7-VMS,
Protokoły	TCP/IP, HTTP, DHCP, DNS, DDNS, RTP, RTSP, PPPoE, SMTP, NTP, UPnP, ICMP, IGMP, SNMP, FTP, 802.1x, QoS, HTTPS, UPnP, IPv6, Bonjour, P2P
Bezpieczeństwo	Ochrona hasłem z opcją dostępu anonimowego, możliwość definiowania użytkowników, filtr adresów IP
Obsługa	ONVIF S, PSIA, CGI, ISAPI
<b>Interfejs</b>	
Interfejs komunikacyjny	RJ45 10M / 100M Ethernet
Zapis lokalny	Wsparcie dla kart SD/SDHC/SDXC do 128GB, wbudowany slot mikro
Przycisk reset	Tak

# i7-C54221-IR KAMERA IP 2,1 Mpx

## Specyfikacja techniczna

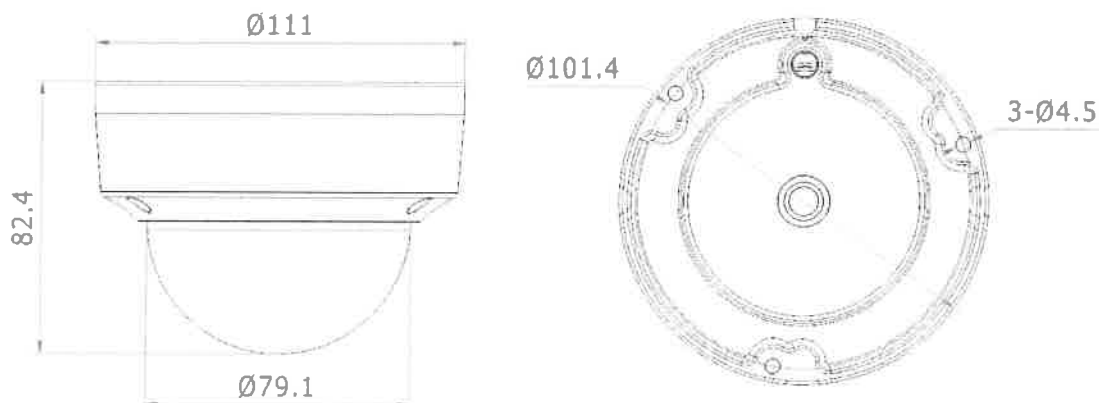
General	
Warunki pracy	Kamera zewnętrzna IP66 ; -30°C~60°C, wilgotność maks. 95% (nieskondensowana)
Oświetlacz	Wbudowany oświetlacz podczerwieni o zasięgu do 30m. Możliwość programowego wyłączenia.
Zasilanie	12V DCV +/-10% lub PoE (802.3af)
Pobór prądu	Max 5.3W
Odporność na uderzenia	IEC60068-2-75Eh, 20J; EN50102, do IK10
Wymiary	Φ 111 × 82 mm
Waga	500g
Zasilacz nie jest zawarty w zestawie, należy nabyć oddzielnie	

### Informacje do zamówień:

i7-C54221-IR 2,8mm  
i7-C54221-IR 4mm  
i7-C54221-IR 6mm

### Wymiary:

jednostka [mm]

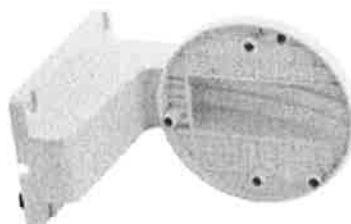


### Akcesoria:

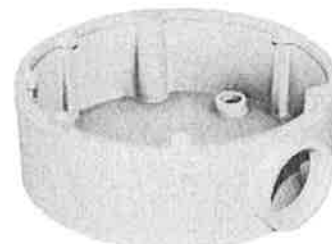
**i7-B1259** – opcjonalny uchwyt sufitowy



**i7-B1258** – opcjonalny uchwyt ścienny



**i7-B54P** – opcjonalna puszka montażowa



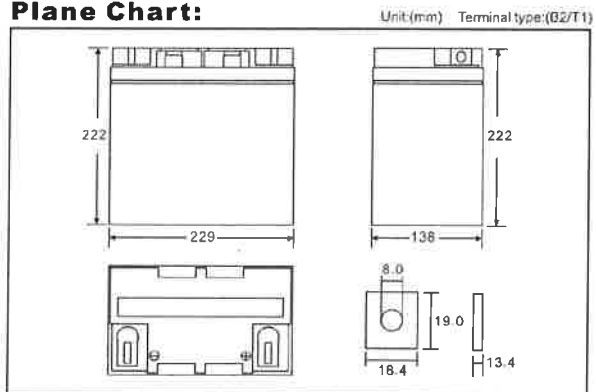




## Akumulator żelowy VIPOW 12V 55Ah



### Plane Chart:



ISO9001  
ISO14001  
OHSAS18001

### Characteristic:

1. 100% testing before out of factory, stable and reliable quality is guaranteed.
2. Professional alloy formula and advanced manufacturing techniques.
3. Completely sealed and maintenance free, low self-discharge.
4. Good charge-discharge acceptability.
5. Cyclic application: deep cycle charge-discharge for more than 260 times.
6. Floating application: for 3-5 years.

### Application:

- Anti-theft system
- Radio transceiver
- Power system
- Railroad engine and railway communication
- Emergency lighting and lamps
- Electric tools
- Electronic instruments and other backup power
- Medical facilities
- UPS for banking system
- Computer backup power
- Marine system
- UPS for fire fighting system
- Toys

### Parts:

Executed Standard: GB/T 19639.1-2005

Cover	Container Bottom	Terminal	Positive Plate	Negative Plate	Separator	Electrolyte	Safety Valve	Seal Glue
ABS	ABS	Copper	PbO <sub>2</sub>	Pb	AGM	dilute sulphuric acid	Rubber	Epoxy Resin

### Packing

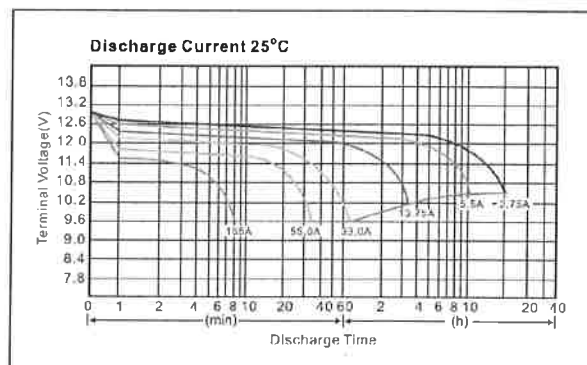
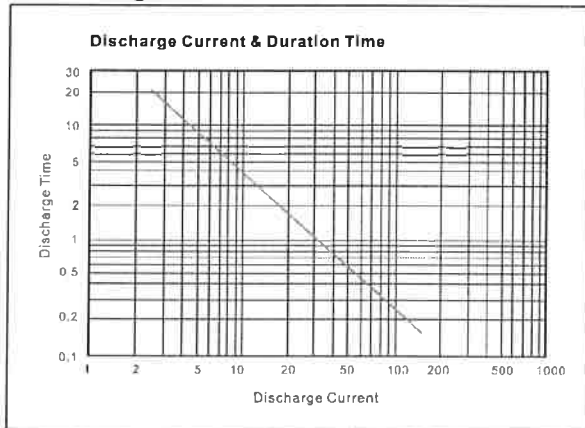
Date	Battery Packing	Inner Packing	Outer Packing
1. Printing	1. Polybag	Paper Box	Carton Packing
2. Branded	2. Shrink		
Carton Sealing		Accessories	
1. Packing Strap		Bolts&nuts	Mini Charger
2. Shrink		With	Optional

### Parameter Chart:

Volts		12V	
Capacity(25°C)		20 hours rate (2.75A)	55.0Ah
Discharge Current Testing (25°C)		20 I <sub>2</sub> rate (55A, 27min)	35min
		60 I <sub>2</sub> rate (185A, 7min)	8min
Internal Resistance		Full Charged Battery 25°C	6mΩ
Capacity Affected By Temperature (20 hours rate)		40°C	102%
		25°C	100%
		0°C	85%
		-15°C	62%
Residual Capacity (25°C)		Capacity After 3 Months Storage	91%
		Capacity After 6 Months Storage	82%
		Capacity After 12 Months Storage	64%
Cycle (Above 300 Time)		Discharge 2hrs at 13.75A Current Charge 6hrs at 5.5A Current (25°C)	
Charge (Constant Voltage)	Cycle (25°C)	Initial Charging Current Less Than 16.5A Voltage 14.5~14.9V	
	Float (25°C)	Charge Voltage 13.6~13.8V	
Weight (Approx)		16.37Kg	

★The above are average and date obtained from the first 3 charge/discharge cycles. These are not minimum values.

### Discharge Curve



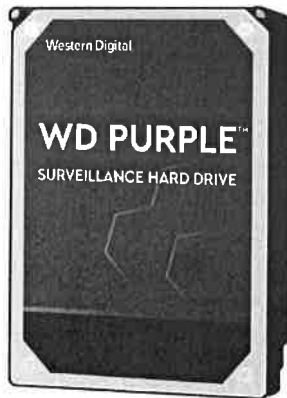


Constant Current Discharge (Amperes) at 25°C (77°F)												
F.V/Time	5min	10min	15min	30min	1Hr	2Hr	3Hr	4Hr	5Hr	6Hr	10Hr	20Hr
1.80V/cell	151.8	113.85	82.5	55.55	32.45	18.15	13.75	11	9.68	7.92	5.17	2.695
1.75V/cell	157.3	116.05	84.15	56.65	32.89	18.7	14.3	11.55	9.9	8.03	5.28	2.75
1.70V/cell	171.6	123.2	89.1	58.85	33.55	19.25	14.695	11.715	10.065	8.195	5.379	2.794
1.65V/cell	188.65	133.65	96.8	62.15	33.55	19.36	14.85	11.858	10.175	8.25	5.445	2.805
1.60V/cell	204.6	140.25	101.75	64.9	34.1	19.9	14.96	11.935	10.285	8.415	5.5	2.86

Constant Power Discharge (Watts/cell) at 25°C (77°F)												
F.V/Time	5min	10min	15min	30min	1Hr	2Hr	3Hr	4Hr	5Hr	6Hr	10Hr	20Hr
1.80V/cell	1988.58	1463.88	1173.15	697.62	400.32	216.96	160.281	132.471	110.550	92.871	61.743	32.340
1.75V/cell	2301.42	1585.65	1227.27	724.35	412.27	221.10	163.515	134.829	112.200	94.286	62.700	33.000
1.70V/cell	2445.30	1643.07	1264.89	740.85	419.73	224.97	165.000	137.186	112.827	96.171	63.030	33.165
1.65V/cell	2555.19	1682.34	1293.93	751.08	424.74	227.23	166.188	138.600	113.223	97.114	63.162	33.231
1.60V/cell	2640.00	1716.00	1320.00	759.00	429.00	229.59	167.112	140.014	113.520	98.057	63.162	33.231

## Loading Info

Master Carton			Pallet			20 GP	
Pcs/Ctn	Size(mm)	N.W.(kg)	Size(mm)	Total C/INS	N.W.(T)	Pallet Qty	Battery Qty(pcs)
1 PCS	250*163*275	18.37	1.12*0.82	90	1.47	14	1260



## Highlights

- Capacity up to 12TB
- Support for up to 64 cameras per drive
- AllFrame™ technology
- Up to 16 AI channels for Deep Learning analytics on AI-enabled NVRs (8TB, 10TB & 12TB capacities)
- MTBF of up to 1.5 million hours
- 3-year limited warranty

INTERFACE	PERFORMANCE CLASS
SATA 6 Gb/s	5400 / 7200 RPM Class

FORM FACTOR	CAPACITIES
3.5-inch	1TB to 12TB

### MODEL NUMBERS

WD121PURZ	WD101PURZ	WD82PURZ
WD81PURZ	WD60PURZ	WD40PURZ
WD30PURZ	WD20PURZ	WD10PURZ

## THE WESTERN DIGITAL ADVANTAGE

Western Digital puts our products through extensive Functional Integrity Testing (F.I.T.) prior to any product launch. This testing ensures our products consistently meet the highest quality and reliability standards of the Western Digital brand.

Western Digital also has a detailed Knowledge Base with more than 1,000 helpful articles as well as software and utilities. Our customer support lines have long operational hours to ensure you get the help you need when you need it. Our toll-free customer support lines are here to help, or you can access our Western Digital Support site for additional details.

WD Purple™ drives are built for 24/7, always-on, high-definition security systems. WD Purple™ surveillance storage feature Western Digital's exclusive AllFrame™ technology, so you can confidently create a security system tailored to the needs of your business. Using AllFrame™ technology, WD Purple™ drives improve video capturing and helps to reduce errors, pixelation, and video interruptions that could happen in a video recorder system. WD Purple drives have an enhanced workload rating that supports systems designed for 24x7 video recording with up to 64 cameras.

## Industry-leading storage. Surveillance you can trust.

Western Digital is a worldwide leader in the hard drive industry. With WD Purple surveillance storage, you have a drive engineered for high temperature, always-on surveillance systems so you can rely on quality video playback when you need it most. Whether you're protecting loved ones or monitoring your business, WD Purple offers performance you can trust.

## Western Digital's Exclusive AllFrame Technology

All WD Purple drives are equipped with AllFrame technology, which improves ATA streaming to help reduce frame loss, improve overall video playback, and increase the number of hard drive bays supported within a NVR. Help make your surveillance solution future-ready knowing that WD Purple drives are ready for ultra high definition cameras. WD Purple capacities up to 8TB feature AllFrame 4K technology enabling high quality recording for up to 64 cameras. WD Purple 10TB and 12TB capacities feature AllFrame AI technology that enables not only recording up to 64 cameras, but also an additional 32 streams for Deep Learning analytics within the system.

## Enhanced Workload Ratings

WD Purple drives with AllFrame 4K technology feature a workload rating of up to 180TB/year - up to three times that of desktop drives - to handle the unique demands of modern video surveillance DVR and NVR systems. WD Purple 10TB and 12TB drives with AllFrame AI feature a workload rating up to 360TB/year to support the Deep Learning analytics that are features in AI capable NVRs.

## Expand your view to 64

Each WD Purple drive is optimized to support up to 64 cameras. With so many options, you have the flexibility to upgrade or expand your security system in the future.

## Designed for Today's and Tomorrow's Surveillance Solutions

With an MTBF of up to 1.5 million hours<sup>1</sup>, WD Purple drives are engineered for mainstream surveillance DVRs and NVRs that operate 24/7. With support for more than eight bays<sup>2</sup> and tarnish resistant components<sup>2</sup>, WD Purple drives deliver reliable operation in large scale surveillance systems in harsh environments.

## Field-proven High Capacity

Now on its 4th generation and with more than 27 million drives shipped<sup>3</sup>, field-proven HelioSeal™ technology delivers trusted high-capacity WD Purple storage (8TB, 10TB, and 12TB) for the massive storage needs of 4K surveillance video.

## Wide Compatibility. Seamless Integration.

WD Purple hard drives are built with compatibility in mind, so you can quickly and seamlessly add capacity to your surveillance system. With a wide range of industry-leading enclosures and chipsets supported, you're sure to find the DVR or NVR configuration that's right for you.

## Low Power. High efficiency.

With our exclusive IntelliSeek™ technology, WD Purple drives are able to calculate optimum seek speeds. This keeps power consumption low so ambient noise and vibrations are at a minimum.

## Three Year Limited Warranty

As an industry-leading hard drive manufacturer, WD stands behind their surveillance storage solutions with a 3-year limited warranty included with every WD Purple drive.

## Specifications<sup>5</sup>

	12TB	10TB	8TB	8TB	6TB	4TB	3TB	2TB	1TB
<b>Model Number<sup>4</sup></b>	WD121PURZ	WD101PURZ	WD82PURZ	WD81PURZ	WD60PURZ	WD40PURZ	WD30PURZ	WD20PURZ	WD10PURZ
Formatted capacity <sup>5</sup>	12TB	10TB	8TB	8TB	6TB	4TB	3TB	2TB	1TB
Form factor	3.5-inch	3.5-inch	3.5-inch	3.5-inch	3.5-inch	3.5-inch	3.5-inch	3.5-inch	3.5-inch
Advanced Format (AF)	Yes	Yes	Yes	Yes	Yes	Yes	Yes	Yes	Yes
RoHS compliant <sup>6</sup>	Yes	Yes	Yes	Yes	Yes	Yes	Yes	Yes	Yes
<b>Product Features</b>									
Cameras supported	Up to 64	Up to 64	Up to 64	Up to 64	Up to 64	Up to 64	Up to 64	Up to 64	Up to 64
Drive Bays Supported	16+	16+	16+	8+	8+	8+	8	8	8
AI Streams	32	32	32	--	--	--	--	--	--
Firmware Feature Name	AllFrame AI	AllFrame AI	AllFrame AI	AllFrame 4K	AllFrame 4K	AllFrame 4K	AllFrame 4K	AllFrame 4K	AllFrame 4K
Tarnish resistant components	Yes	Yes	Yes	Yes	Yes	Yes	No	No	No
<b>Performance</b>									
Interface transfer rate (max) <sup>5</sup>									
Buffer to host	6 Gb/s	6 Gb/s	6 Gb/s	6 Gb/s	6 Gb/s	6 Gb/s	6 Gb/s	6 Gb/s	6 Gb/s
Host to/from drive (sustained)	245 MB/s	245 MB/s	245 MB/s	213 MB/s	175 MB/s	150 MB/s	145 MB/s	145 MB/s	110 MB/s
Cache (MB) <sup>5</sup>	256	256	256	256	64	64	64	64	64
Performance Class	7200 RPM	7200 RPM	7200 RPM	5400 RPM	5400 RPM	5400 RPM	5400 RPM	5400 RPM	5400 RPM
<b>Reliability/Data Integrity</b>									
Load/unload cycles <sup>7</sup>	300,000	300,000	300,000	300,000	300,000	300,000	300,000	300,000	300,000
Annualized workload rating <sup>8</sup>	360TB/yr	360TB/yr	360TB/yr	180TB/yr	180TB/yr	180TB/yr	180TB/yr	180TB/yr	180TB/yr
Non-recoverable read errors per bits read	<1 in 10 <sup>15</sup>	<1 in 10 <sup>15</sup>	<1 in 10 <sup>15</sup>	<1 in 10 <sup>14</sup>	<1 in 10 <sup>14</sup>	<1 in 10 <sup>14</sup>	<1 in 10 <sup>14</sup>	<1 in 10 <sup>14</sup>	<1 in 10 <sup>14</sup>
MTBF	1,500,000	1,500,000	1,500,000	1,000,000	1,000,000	1,000,000	1,000,000	1,000,000	1,000,000
Limited warranty (years) <sup>9</sup>	3	3	3	3	3	3	3	3	3
<b>Power Management<sup>10</sup></b>									
Average power requirements (W)									
Read/Write	6.6	6.3	8.6	8.5	5.3	5.1	4.4	4.4	3.3
Idle	5.6	5.2	7.4	7.3	4.9	4.5	4.1	4.1	2.9
Standby and Sleep	0.6	0.5	0.4	0.44	0.4	0.4	0.4	0.4	0.4
<b>Environmental Specifications<sup>11</sup></b>									
Temperature (°C, on the base casting)									
Operating <sup>12</sup>	0 to 65	0 to 65	0 to 65	0 to 65	0 to 65	0 to 65	0 to 65	0 to 65	0 to 65
Non-operating	-40 to 70	-40 to 70	-40 to 70	-40 to 70	-40 to 70	-40 to 70	-40 to 70	-40 to 70	-40 to 70
Shock (Gs)									
Operating (2 ms, read/write)	30	30	30	30	30	30	30	30	30
Operating (2 ms, read)	65	65	65	65	65	65	65	65	65
Non-operating (2 ms)	250	250	250	250	250	250	250	250	250
Acoustics (dBA) <sup>13</sup>									
Idle	20	20	27	27	25	25	23	23	21
Seek (average)	29	29	29	29	28	28	24	24	22
<b>Physical Dimensions</b>									
Height (in./mm, max)	1.028/26.1	1.028/26.1	1.028/26.1	1.028/26.1	1.028/26.1	1.028/26.1	1.028/26.1	1.028/26.1	1.028/26.1
Length (in./mm, max)	5.787/147	5.787/147	5.787/147	5.787/147	5.787/147	5.787/147	5.787/147	5.787/147	5.787/147
Width (in./mm, ± .01 in.)	4/101.6	4/101.6	4/101.6	4/101.6	4/101.6	4/101.6	4/101.6	4/101.6	4/101.6
Weight (lb/kg, ± 10%)	1.46/0.66	1.43/0.65	1.58/0.715	1.58/0.715	1.65/0.75	1.50/0.68	1.40/0.64	1.32/0.60	0.99/0.45

<sup>1</sup> Up to 1.5M MTBF for 8TB, 10TB, and 12TB capacities (up to 1.0M MTBF for lower capacities). MTBF specifications are based upon internal testing using a 40°C base casting temperature. MTBF is based on a sample population and is estimated by statistical measurements and acceleration algorithms. MTBF does not predict an individual drive's reliability and does not constitute a warranty.

<sup>2</sup> For capacities 4TB and higher.

<sup>3</sup> As of April 2018

<sup>4</sup> Not all products may be available in all regions of the world.

<sup>5</sup> As used for storage capacity, one gigabyte (GB) = one billion bytes and one terabyte (TB) = one trillion bytes. Total accessible capacity varies depending on operating environment. As used for buffer or cache, one megabyte (MB) = 1,048,576 bytes. As used for transfer rate or interface, megabyte per second (MB/s) = one million bytes per second, and gigabit per second (Gb/s) = one billion bits per second. Effective maximum SATA 6 Gb/s transfer rate calculated according to the Serial ATA specification published by the SATA-IO organization as of the date of this specification sheet. Visit [www.sata-io.org](http://www.sata-io.org) for details.

<sup>6</sup> WD hard drive products manufactured and sold worldwide after June 8, 2011, meet or exceed Restriction of Hazardous Substances (RoHS) compliance requirements as mandated by the RoHS Directive 2011/65/EU.

<sup>7</sup> Controlled unload at ambient condition.

<sup>8</sup> Workload Rate is defined as the amount of user data transferred to or from the hard drive. Workload Rate is annualized (TB transferred x (8760 / recorded power-on hours)). Workload Rate will vary depending on your hardware and software components and configurations.

<sup>9</sup> See <http://support.wdc.com/warranty> for regional specific warranty details.

<sup>10</sup> Power measurements at room-ambient temperature.

<sup>11</sup> No non-recoverable errors during operating tests or after non-operating tests.

<sup>12</sup> On the base casting.

<sup>13</sup> Sound power level.

## Western Digital

5601 Great Oaks Parkway  
San Jose, CA 95119, USA  
US (Toll-Free): 800.801.4618  
International: 408.717.6000  
[www.westerndigital.com](http://www.westerndigital.com)

© 2019 Western Digital Corporation or its affiliates. All rights reserved. Western Digital, the Western Digital logo, AllFrame 4K, IntelliSeek, F.I.T. Lab, HelioSeal and WD Purple are registered trademarks or trademarks of Western Digital Corporation or its affiliates in the US and/or other countries. All other marks are the property of their respective owners. Product specifications subject to change without notice. Picture shown may vary from actual product. Not all products are available in all regions of the world.





# i7-N13104VH NVR 4ch

Specyfikacja techniczna



## Informacje ogólne

Seria rejestratorów sieciowych NVR bazująca na ostatnich osiągnięciach technologicznych. i7-N13104VH jest zbudowany na dedykowanej platformie sprzętowej (ang. embedded), pracuje z zastosowaniem nowoczesnych technik kodowania oraz dekodowania H.264+ i H.264. i7-N13104VH charakteryzuje się połączeniem niezawodności, wysokiej wydajności, funkcjonalności oraz intuicyjnej obsługi.

Rejestrator umożliwia obsługę systemu megapikselowych kamer na podłączonym monitorze, bez potrzeby użycia komputera. Alternatywnie na oprogramowaniu klienckim lub przez przeglądarkę użytkownik uzyskuje funkcje podglądu, odtwarzania, archiwizacji nagrań oraz dostęp do ustawień.



### Rejestrator i7-N13104VH

- Obsługa 4 urządzeń IP (kamer, kamer PTZ, koderów).
- Wsparcie dla kamer poprzez protokoły INTERNEC, ONVIF i inne\*. Możliwość zdefiniowania ścieżki RTSP do strumienia danych wideo.
- Dwa wyjścia monitorowe VGA oraz HDMI do 1920x1080p. HDMI i VGA wyświetlają w trybie klonowania.
- Definiowalny układ kamer. Wyświetlanie w podziałach do 2x2.
- Nowoczesny interfejs graficzny, estetyczne ikony; uproszczony dostęp do popularnych funkcji użytkownika np. odtwarzania.
- Interfejs LAN 10/100Mbps
- 40Mb dla połączeń przychodzących LAN od kamer IP.
- 40Mb dla połączeń wychodzących LAN do stacji klienckich.
- Obsługa dwóch strumieni danych z urządzeń IP, o różnych parametrach kodowania, np.: do zapisu oraz podglądu w sieci lokalnej (wysoka rozdzielczość, jakość i liczba klatek → duży strumień), a drugi do transmisji sieciowej przez Internet (niższa rozdzielczość, jakość liczba klatek → mały strumień).

# i7-N13104VH NVR 4ch

## Specyfikacja techniczna



- Obsługa kamer IP w rozdzielczościach do 4MPx.
- Obsługa podglądu, zapisu i odtwarzania w wysokiej rozdzielczości.
- Powiększenie cyfrowe w podglądzie i odtwarzaniu.
- Inteligentne wyszukiwanie nagrań (tzw. postdetekcja)\*\* w trybach odtwarzania lokalnym oraz zdalnym przez program i7-VMS.
- Odtwarzanie – różne tryby: szybki dostęp do ostatnich minut nagrania pozostawiając tryb na żywo dla pozostałych kanałów. Przejście bezpośrednio z podglądu do odtwarzania wybranego kanału. Zaawansowane wyszukiwanie według czasu, zdarzeń, zdarzeń inteligentnych\*\*, znaczników oraz tryb odtwarzania podokresów.
- Odtwarzanie - funkcje: jedno i wielokamerowe, w przód, wstecz, zwolnione, przyspieszone - duża prędkość przeglądania nagrań (aż do x128). Szybki backup nagrań na USB z poziomu odtwarzania.
- Wsparcie dla myszy w sterowaniu PTZ, w tym tryb 3D\*\* - zaznaczając fragment obrazu kamera PTZ wykonuje zbliżenie optyczne fragmentu.
- Tryb nagrywania ciągly bądź aktywowany zdarzeniem, określony harmonogramem, oddzielnie definiowalny dla każdego kanału.
- Obsługiwane zdarzenia z urządzeń IP \*\*: detekcja ruchu, alarmy inteligentne, alarmy z wejść alarmowych.
- Parametry: rozdzielczość, ilość klatek, przepływność bitowa oraz jakość obrazu oddzielnie definiowalne dla każdej kamery
- Definiowanie oddzielnych parametrów dla zapisu ciągłego oraz alarmowego \*\*.
- Konto administratora z pełnym dostępem. Możliwość tworzenia kont użytkowników o oddzielnie definiowalnych uprawnieniach dla pracy lokalnej oraz do dostępu zdalnego. Definiowanie uprawnień na poziomie kanału.
- Obudowa wolnostojąca, miejsce na 1 dysk SATA.
- Obsługa S.M.A.R.T., standby i pre-alokacji dla HDD, obsługa dysków SATA o pojemności do 6TB. Możliwość określenia przydziału dysku dla poszczególnych kamer, ustalenia limitów pojemności dla zapisu danego kanału.
- Szeroki zakres diagnostyki z poziomu menu, informacje o zajętości sieci dla połączeń przychodzących oraz wychodzących, funkcja SMART dla każdego dysku.
- Protokoły TCP/IP: IPv6, PPPoE, DHCP, DNS, DDNS, NTP, SADP, SMTP, SNMP, UpnP™, P2P.
- Możliwość obsługi rejestratorów przez sieć TCP/IP, w pakiecie zaawansowane oprogramowanie typu CMS: i7-VMS PL bez limitu stanowisk.
- Możliwość obsługi rejestratorów przez sieć TCP/IP przez przeglądarki: Firefox, IE, Chrome i inne, oprogramowanie na urządzenia mobilne i7-MVS PL.

\*Inne obsługiwane protokoły/producentów prosimy konsultować z działem technicznym.

\*\* Funkcje dostępne dla urządzeń IP podłączonych po protokole INTERNEC

# i7-N13104VH NVR 4ch

## Specyfikacja techniczna



### Informacje podstawowe

- Możliwość podłączenia kamer IP, kamer PTZ IP, koderów wideo IP.
- Obsługiwane protokoły: INTERNEC, ONVIF, RTSP i inne\*.
- Możliwość zapisu strumienia wideo, lub wideo + audio, definiowalna oddzielnie dla każdego kanału.
- Każdy kanał obsługuje dwu-strumieniowość.
- Niezależna konfiguracja dla każdego kanału, w tym rozdzielczość, liczba klatek na sekundę, przepływność bitowa, jakość obrazu.
- Definiowalne ustawienia parametrów wyświetlania na monitorach
- Aktywacja kamer INTERNEC i dodanie 'jednym kliknięciem'.

### Praca na monitorach lokalnych

- Wyjścia VGA i HDMI w trybie klonowania.
- Podziały dla wyświetlania na żywo 1/4 z możliwością przełączania automatycznego.
- Dostępne funkcje: podgląd na żywo, odtwarzanie, archiwizacja, konfiguracja.
- Obsługiwane przełączanie grup obrazów na żywo w trybie ręcznym i automatycznym z definiowalnym czasem sekwencji.
- Szybki dostęp do menu ustawień z trybu na żywo.
- Wybrane kanały mogą zostać wyłączone z podglądu na żywo – ukryte.
- Ikona informująca o alarmach dla detekcji ruchu, sabotażu, błędów wideo, utraty połączenia, alarmach inteligentnych\*\*.
- Maski prywatności.
- Obsługa PTZ, sterowanie, presety, wywoływanie tras i patroli. Tryb powiększania zaznaczonego obszaru przy sterowaniu PTZ\*\*.

### Zarządzanie dyskami

- Obsługa 1 dysku SATA o pojemności do 6TB każdy.
- Obsługa przydziałów: dla kanałów może zostać przypisana określona przestrzeń dla zapisu.

### Nagrywanie

- Definiowalny harmonogram dla świąt i wyjątków.
- Nagrywanie w pętli
- Nagrywanie strumienia głównego lub strumienia pomocniczego
- Tryby zapisu: ręczny, ciągły, zdarzeniowy, z detekcji ruchu, alarm, ruch lub alarm, ruch i alarm\*\*.
- 8 definiowalnych okresów w ciągu doby w różnym trybie nagrywania.
- Nagrywanie przed i po zdarzeniowe dla trybów alarmowego oraz z detekcji ruchu.

### Odtwarzanie

- Szybki dostęp do ostatnich minut nagrania pozostawiając tryb na żywo dla pozostałych kanałów
- Ergonomiczny panel odtwarzania zaprojektowany dla komfortu obsługi.
- Przejście bezpośrednio z podglądu do odtwarzania wybranego kanału.
- Dostępne tryby odtwarzania: według czasu, zdarzeń, znaczników, wyszukiwanie inteligentne, odtwarzanie w trybie podokresów, odtwarzanie z zewnętrznego nośnika.
- Wyszukiwanie i odtwarzanie nagrań według numeru kanału oraz zakresu czasu.
- Wyszukiwanie nagrań według czasu i typu dla zdarzeń (alarm z wejścia alarmowego, detekcja ruchu, alarmy inteligentne (przekroczenie linii i wtargnięcie)).

# i7-N13104VH NVR 4ch

## Specyfikacja techniczna



- Inteligentne wyszukiwanie nagrań\*\* (postdetekcja), dostępne tryby: detekcja ruchu w obszarze, przekroczenie linii, wtargnięcie w obszar kamerę IP.
- Obsługa znaczników. Możliwość nazywania znaczników. Wyszukiwanie nagrań po znacznikach.
- Blokowanie w celu zabezpieczenia przed nadpisaniem i odblokowywanie plików nagrań.
- Odtwarzanie wsteczne, również w trybie odtwarzania wielu kanałów.
- Pauza, odtwarzanie wsteczne, przyspieszenie (maks. x128) i zwolnienie, przeskok do przodu i do tyłu, odtwarzanie przez kliknięcie na pasku diagramu nagrania, skalowanie diagramu.
- Powiększenie cyfrowe w odtwarzaniu.
- Do 4 kamer synchronicznego odtwarzania - rzeczywista maksymalna liczba synchronicznie odtwarzanych kanałów jest wynikiem rozdzielczości dla poszczególnych kanałów.

### Archiwizacja

- Obsługa systemu plików NTFS i FAT32 dla nośnika do archiwizacji.
- Eksport plików przez USB
- Szybki eksport z trybu odtwarzania oraz oddzielne pełne menu do eksportu.

### Alarmy i awarie

- Alarmy dla: utrata obrazu lub połączenia z kamerą, detekcja ruchu, alarm inteligentny\*\*, wejście alarmowe (w kamerach IP\*\*), sabotaż obrazu, niepoprawne logowanie, sieć rozłączona, konflikt IP, błąd nagrywania, błąd dysku, dysk pełny.
- Alarm może wyzwalać: obraz na pełny ekran, alarm dźwiękowy, informację do klienta sieciowego, wysyłanie e-mail, akcję kamery PTZ, wyjście alarmowe (w kamerach IP\*\*).
- Automatyczne przywrócenie systemu po awarii.

### Funkcje sieciowe

- Interfejs LAN 10/100Mbps.
- Wsparcie dla IPv6
- Protokoły: TCP/IP, DHCP, DDNS, NTP, SADP, SMTP, UPnP™, P2P.
- Ręczne lub automatyczne mapowanie dla UpnP™.
- Zdalny pogląd na żywo.
- Zdalne wyszukiwanie, odtwarzanie, pobieranie plików nagrań.
- Zdalny dostęp do konfiguracji, możliwość eksportowania i wgrywania pliku konfiguracji do urządzenia.
- Zdalny dostęp do informacji o stanie urządzenia, dziennika zdarzeń i alarmów.
- Zdalne formatowanie dysków.
- Zdalne restartowanie systemu.
- Informacje o alarmach, awariach i wyjątkach mogą zostać wysłane do zdalnego klienta.
- Zdalne rozpoczęcie/zakończenie nagrywania.
- Zdalna kontrola PTZ.
- Wbudowany web serwer.

# i7-N13104VH NVR 4ch

## Specyfikacja techniczna



### Inne funkcje

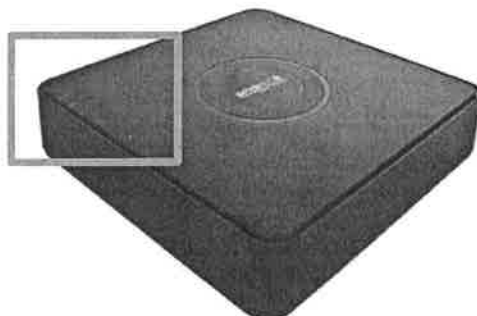
- Kontrola urządzenia poprzez mysz.
- Definiowalne uprawnienia, administrator może utworzyć konta użytkowników z ograniczeniem dostępu do wybranych kanałów
- Rozbudowany dziennik zdarzeń systemowych z możliwością przeszukiwania według kryteriów takich jak operacje, alarmy i wyjątki. Możliwość archiwizacji zdarzeń z dziennika.
- Import eksport pliku konfiguracji.
- Możliwość aktualizacji oprogramowania systemowego – wymienny firmware.

# i7-N13104VH NVR 4ch

Specyfikacja techniczna

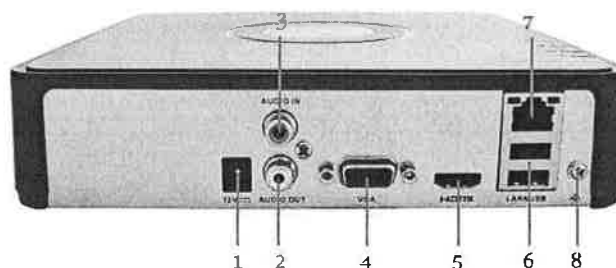
## Panel oraz złącza

### Panel przedni



① Informacja o stanie urządzenia (zasilanie, dysk, sieć LAN)

### Panel tylny



① 12VDC złącze zasilające

② Wyjście audio RCA

③ Wejścia audio RCA

④ Wyjście VGA

⑤ Wyjście HDMI

⑥ USB 2.0

⑦ Interfejs LAN

⑧ Zacisk uziemiający

### Zawartość opakowania:

- rejestrator i7-N13104VH 1szt,
- zasilacz 12V/1,5A 1szt, mysz 1szt, płyta CD 1szt, przewód SATA 1szt, przewód zasilający HDD 1szt, śruby mocujące

# i7-N13104VH NVR 4ch

Specyfikacja techniczna

## Parametry

Model		i7-N13104VH	
Wejścia wideo / audio	Kanały IP	4 kanały wideo + audio	
	Wejścia audio	1-ch, RCA (2Vp-p, 1kΩ) (komunikacja dwukierunkowa)	
Dyski twarde HDD	Ilość / typ	1 x Interfejs SATA	
	Pojemności	1 HDD do 6TB	
Wyjścia audio / wideo	Rozdz./wyjście	<b>HDMI</b>	<b>VGA</b>
	1920 x 1080 / 60Hz	✓	✓
	1280 x 1024 / 60Hz	✓	✓
	1280 x 720 / 60Hz	✓	✓
	1024 x 768 / 60Hz	✓	✓
	Rozdzielczości nagrywane	4MP/3MP/1080p/UXGA/720p/VGA/4CIF/DCIF/2CIF/CIF/QCIF	
	Liczba klatek	Do 50kl.s (P) / 60kl.s(N)	
	Wyjście audio	1 x RCA (2.0Vp-p, 1kΩ)	
	Rozdzielczości odtwarzane	4MP/3MP/1080p/UXGA/720p/VGA/4CIF/DCIF/2CIF/CIF/QCIF	
Zasoby dekodowania	2 kanały @4MP lub 4 kanały @2MP		
Odtwarzanie synchroniczne	Do 4 kanałów synchronicznego odtwarzania – rzeczywista, maksymalna liczba synchronicznie odtwarzanych kanałów jest wynikiem rozdzielczości dla poszczególnych kanałów.		
Interfejsy zewnętrzne	LAN	RJ-45 Ethernet 10/100Mbps	
	Porty USB	2 x USB2.0	
Inne	Obudowa	wolnostojąca	
	Zasilanie	12 VDC	
	Pobór mocy	≤18W (bez dysków)	
	Temp. pracy	-10°C~+55°C	
	Wilgotność	10%~90%	
	Wymiary	200 × 205 × 48 mm	
	Waga	<1kg. (bez dysków)	

# i7-N13104VH NVR 4ch

## Specyfikacja techniczna



### Dodatek

Wzór na obliczenie ilości kamer IP możliwych do podłączenia do rejestratora sieciowego, w odniesieniu do sumarycznego maksymalnego pasma przychodzącego wynikającego ze strumieni kamer IP:

$A = B/(C+D)$ , gdzie:

A - określa ilość możliwych do podłączenia kamer IP

B - określa całkowite pasmo rejestratora dla połączeń przychodzących

C - określa przepływność bitową strumienia głównego pojedynczej kamery podłączonej do rejestratora

D - określa przepływność bitową strumienia pomocniczego pojedynczej kamery podłączonej do rejestratora

#### Przykład 1:

Pasmo rejestratora i7-N13104VH dla połączeń przychodzących wynosi 40Mbps. Przyjmijmy, że kamery będą podłączone w rozdzielczości 2MPx (1920\*1080) / 25kl./s. Przepływności bitowe odpowiednio dla strumienia głównego i pomocniczego zostaną ustawione odpowiednio na 3,5Mbps i 1Mbps (przy kompresji H264). Dla tego przykładu:

B=40Mbps,

C=3,5Mbps,

D=1Mbps,

zatem

$$A = B/(C+D) = 40 / (3,5+1) = 8,8$$

Dla danego przykładu maksymalna liczba kamer IP możliwa do podłączenia do rejestratora wynosi 4 i nie wynika z ograniczenia pasma, lecz z maksymalnej liczby 4 kanałów w rejestratorze.

#### Przykład 2:

Pasmo rejestratora i7-N13104VH dla połączeń przychodzących wynosi 40Mbps. Przyjmijmy do obliczeń, że kamery będą podłączone w rozdzielczości 4Mpx (2560\*1440) / 20kl./s. Przepływności bitowe odpowiednio dla strumienia głównego i pomocniczego zostaną ustawione odpowiednio na 4Mbps (dla kodeka H264+) i 1Mbps. Dla tego przykładu:

B=40Mbps,

C=4Mbps,

D=1Mbps,

zatem

$$A = B/(C+D) = 40 / (4+1) = 8$$

Dla danego przykładu maksymalna liczba kamer IP możliwa do podłączenia do rejestratora wynosi 4 i nie wynika z ograniczenia pasma, lecz z maksymalnej liczby 4 kanałów w rejestratorze.



## hEX PoE lite

hEX PoE lite is a small five port ethernet router in a plastic case, it has a USB 2.0 port and PoE output. Ports 2-5 can power other PoE capable devices with the same voltage as applied to the unit. Less power adapters and cables to worry about! Max current is 1A per port, Ethernet ports are shielded.

It is affordable, small and easy to use. With it's compact design and clean looks, it will fit perfectly into any SOHO environment.

## Specifications

Product code	RB750UPr2
CPU nominal frequency	650 MHz
CPU core count	1
Size of RAM	64 MB
10/100 Ethernet ports	5
PoE in	Yes
Supported input voltage	6 - 30 V
Power output	On ports 2-5, Ourput: 1A max per port; 2A max total
PCB temperature monitor	Yes
Voltage monitor	Yes
Current monitor	Yes
USB slot	Yes
Dimensions	113x89x28mm
License level	4
Operating System	RouterOS
CPU	QCA9531
Max Power consumption	3 W
Suggested price	\$59.95

## Included



24V 2.5A Power adapter

